

KNV PSU

Technische Serviceanleitung / Technical Service Manual

rev 1.0

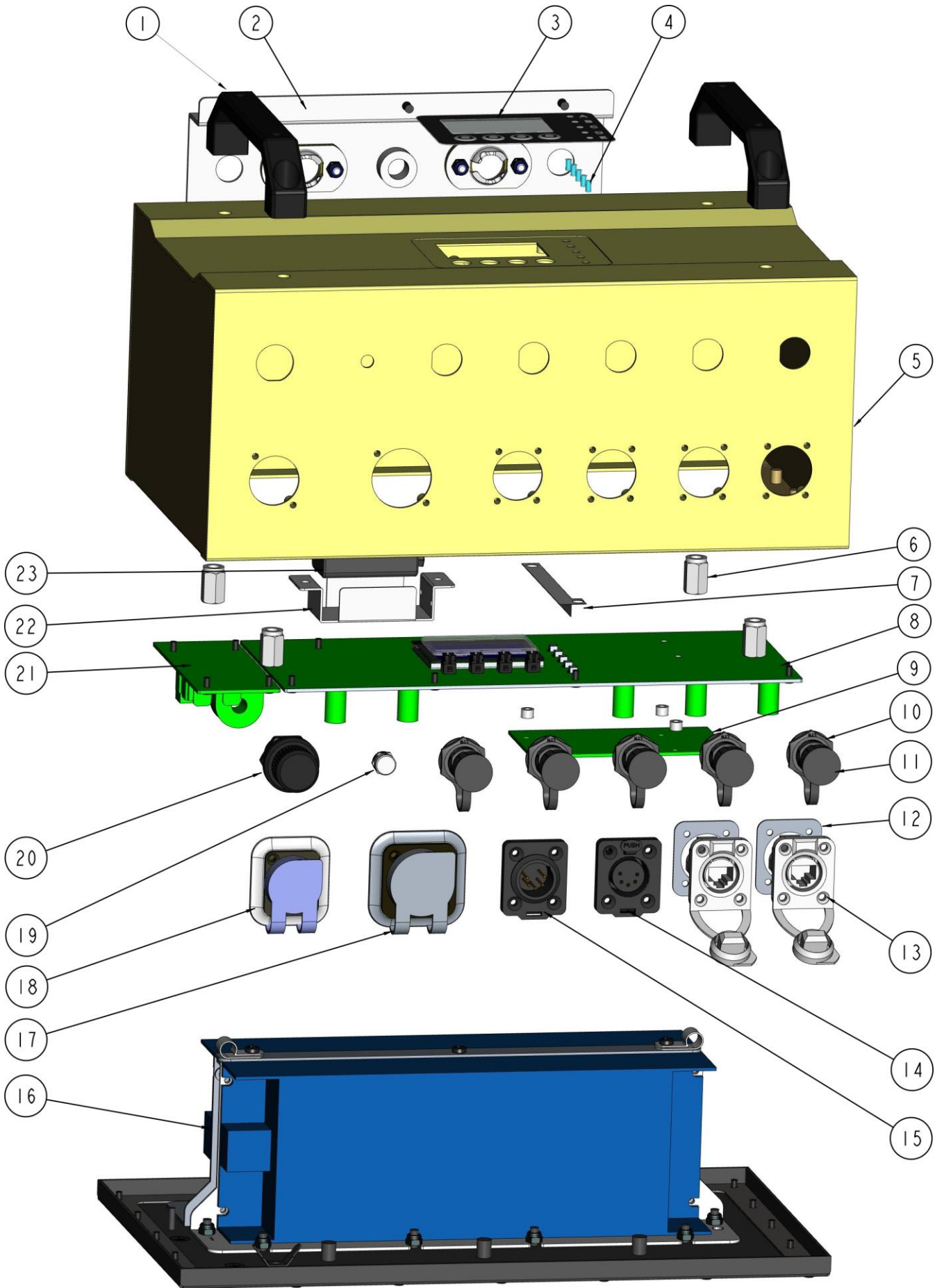


e-mail : support@glp.de

web : <http://www.glp.de>

1. Overview

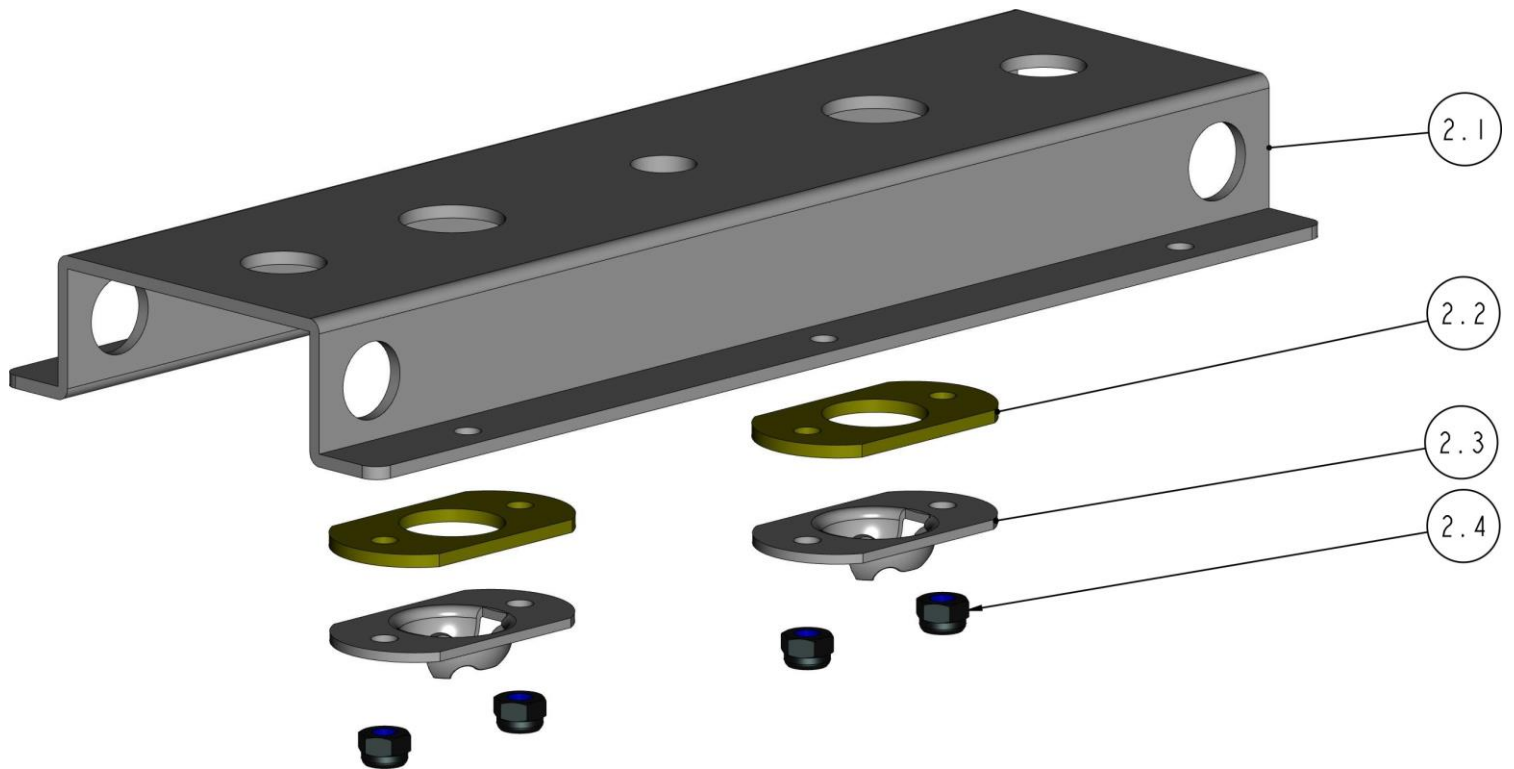




1. Overview

Pos.	Code	Name	Quantity
1	304030941	KNV-HOLDER-130	2
2	207011076	CAMLOC-MOUDLE	1
3	308000362	KNV-PSU-BATTERY-CASE	1
4	308030051	GUIDE-PILLAR-PSU	5
5	204051523	KNV-PSU-CASE	1
6	304031183	M6-QUICK-LOCK	4
7	308000367	PC-GUIDE-PILLAR	1
8	314012051	KNV_PSU5_Main_V1.0	1
9	314012064	ArtNet_V1.0	1
10	207011168	CCBPM06FEC-LCS7001	5
11	308010509	CPBPPMCLP71	5
12	308040035	KNV-RJ45-RUBBER	2
13	207011178	NE8FDX-Y6-W	2
14	207011165	NC5FDX-TOP	1
15	207011166	NC5MDX-TOP	1
16	207011074	500W-POWER-MODULE	1
17	207011164	NAC3MPX	1
18	207011163	NAC3FPX	1
19	303010368	310400009/M6	1
20	207011177	Fuse holder/231549P / Order Number: 7093.0110 / IP68	1
20.1	314990104	0326012.MXP/6.3x32mm/12A/250V	1
21	314012065	AC_Power_Monitoring_V1.0	1
22	204051521	KNV-PSU-BATTERY-SHEET	1
23	306070006	5035342-CN, maxE-NIMH-lsd-8.4V-E200-ni/CN	1

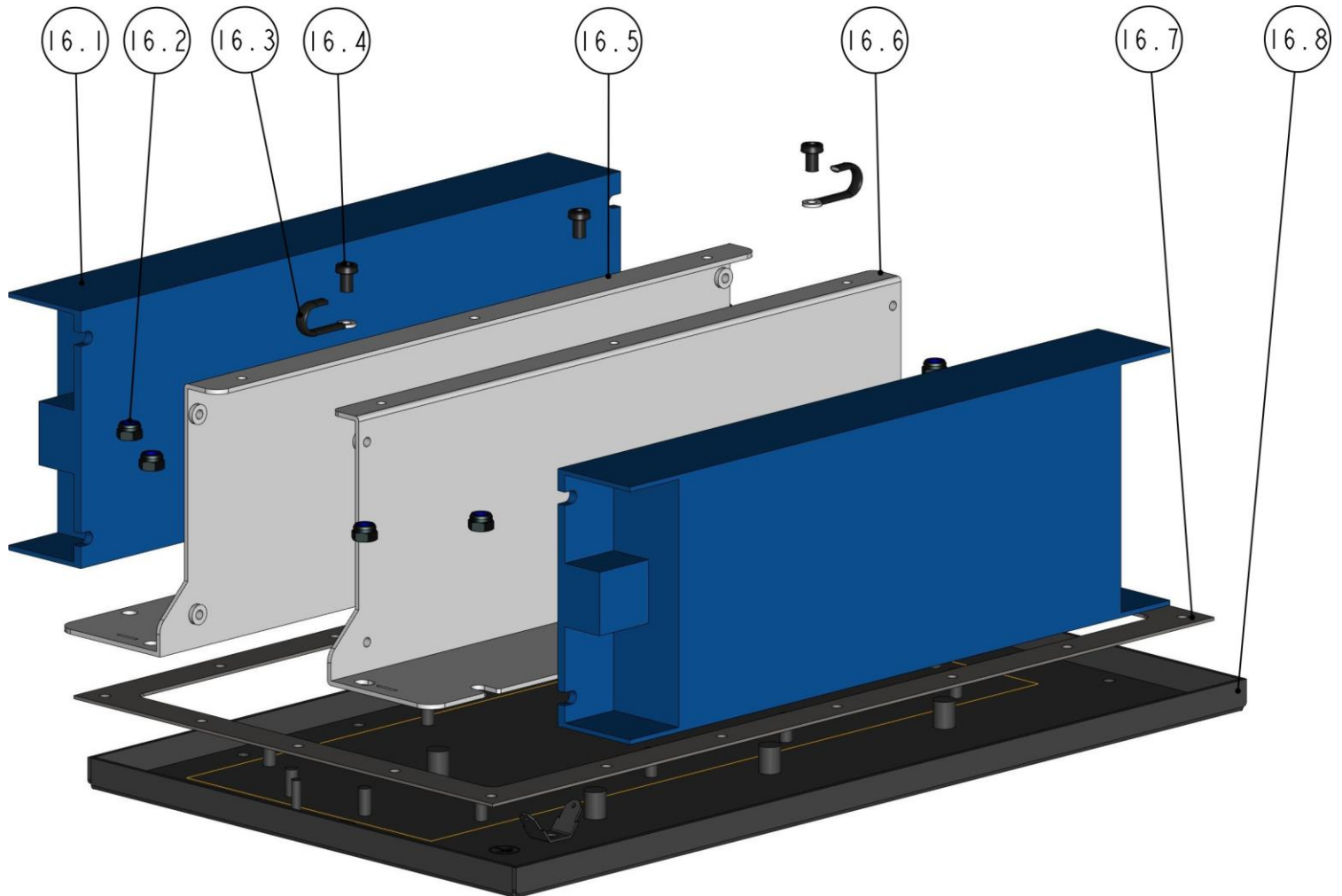
CAMLOC-MOUDLE



CAMLOC-MOUDLE

Pos.	Code	Name	Quantity
2.1	204051518	CAMLOC-METAL-KNV-PSU	1
2.2	204050911	JDC-1-CAMLOC-COMNECT	2
2.3	304000135	2-28	2
2.4	303010444	M4 Locknut	4

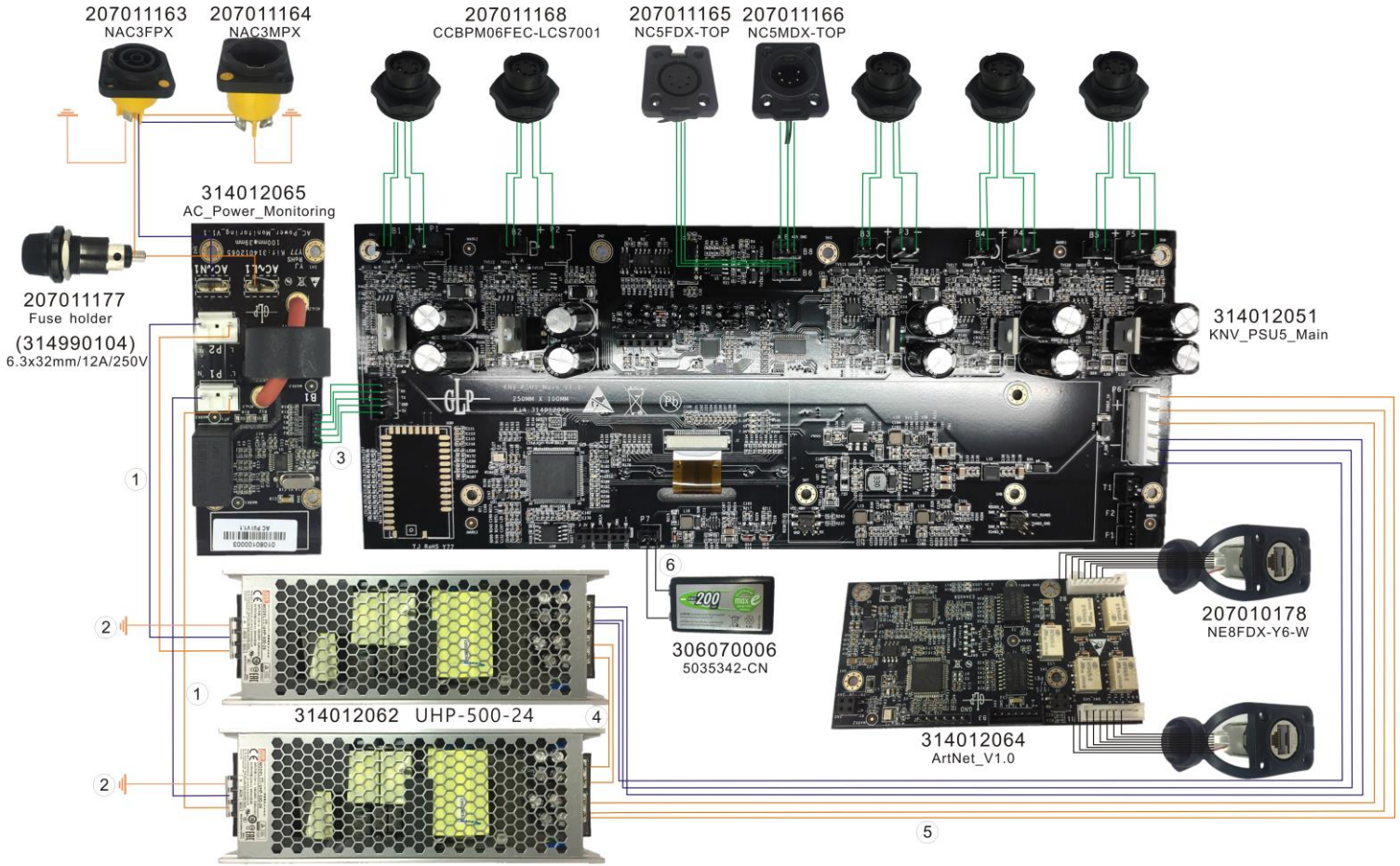
500W-POWER-MODULE



500W-POWER-MODULE

Pos.	Code	Name	Quantity
16.1	314012062	UHP-500-24	2
16.2	303010444	M4 Locknut	12
16.3	304000161	WIRE CLAMP	2
16.4	303010118	310300001/M3X6	3
16.5	204051519	KNV-PSU-POWER-HOLDER-2	1
16.6	204051520	KNV-PSU-POWER-HOLDER-1	1
16.7	308040052	KNV-PSU-RUBBER	1
16.8	204051516	KNV-PSU-BASE-COVERR	1

Wiring Diagram



2. Wiring Diagram

Pos.	Code	Name	Quantity
1	307041076	KNV PSU / PSU_AC / AC_Power_P1\2 +400MM	2
2	307041001	FR10 / PSU_PE / PE / 70MM	2
3	307041071	KNV PSU / AC_Power_B1 / MAIN_B7 +55MM	1
4	307041073	KNV PSU / PSU_V+ / PSU_V- +85MM	2
5	307041074	KNV PSU / PSU_DC / MAIN_P6 +400MM	1
6	307040360	540100498/9V	1
7	207011163	NAC3FPX	1
8	207011164	NAC3MPX	1
9	207011165	NC5FDX-TOP	1
10	207011166	NC5MDX-TOP	1
11	207011168	CCBPM06FEC-LCS7001	5
12	207011177	Fuse holder/231549P / Order Number: 7093.0110 / IP68	1
13	207011178	NE8FDX-Y6-W	2
14	314012065	AC_Power_Monitoring_V1.0	1
15	314012051	KNV_PSU5_Main_V1.1	1
16	306070006	470300007/5035342-CN, maxE-NIMH-Isd-8.4V-E200-ni/CN	1
17	314012064	ArtNet_V1.0	1
	307040772	JDC Powercon Mainscable-VDE+NAC3FX-W (1.5qmm, 1.5m)	1